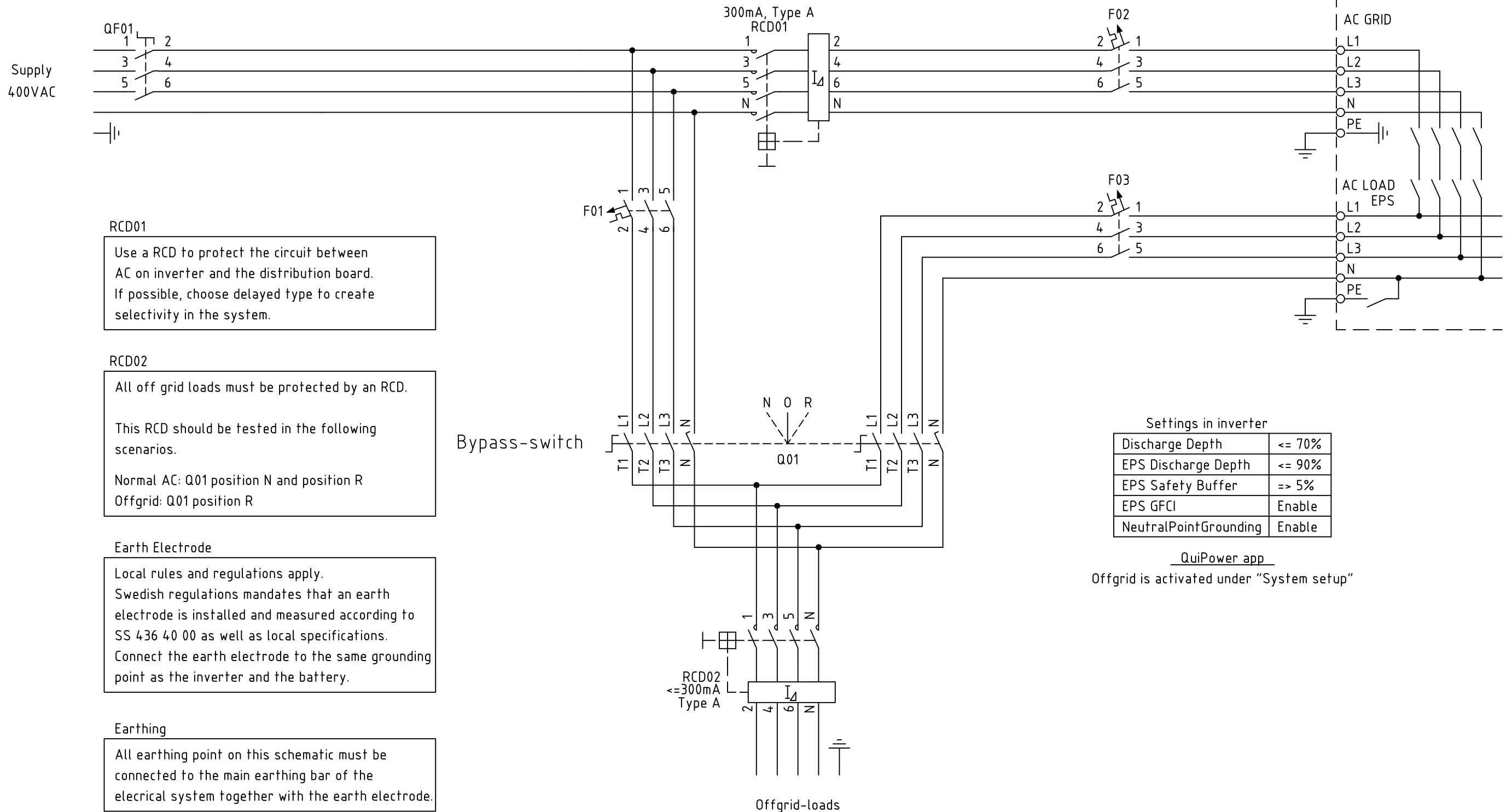


OBS!
Only to be used together with inverter with serial number SH105.....

Sofar HYD
Firmware: V110161_61_61 or above



R3	RCD01, Firmware version	ME	240816
R2	Information earthing points	ME	240313
NR.	ÄNDRING	SIGN.	DATUM



Enequi
Example QPO-distribution board HYD SH105
Circuit diagram

KONSTR. AV V.V.	FILNAMN	RITNINGSNUMMER 3-820236E	
DATUM 2024-03-13	REV. R3	FORTS.	BLAD 01