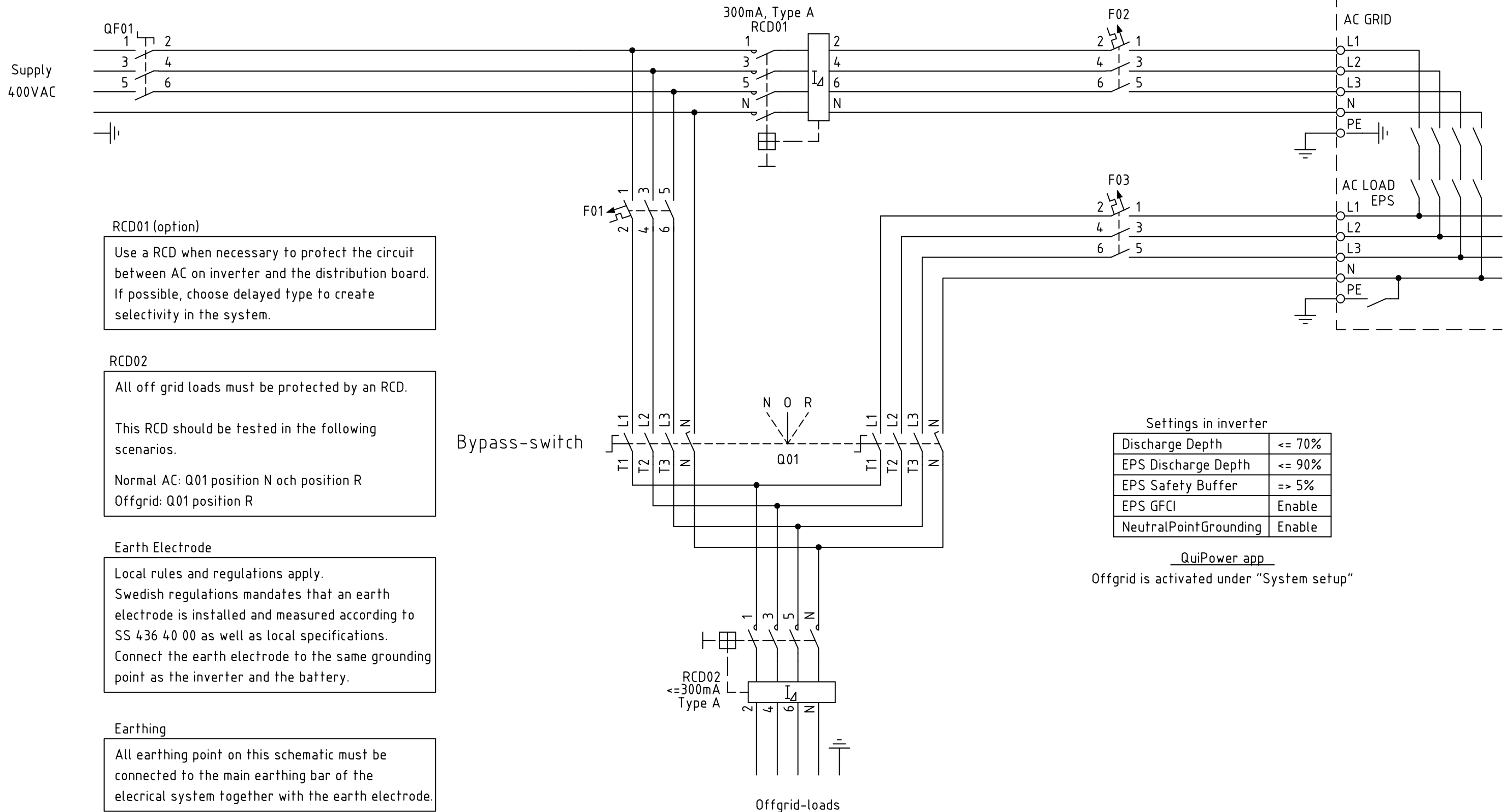


OBS!
Only to be used together with inverter with serial number SH105.....

Sofar HYD
Firmware: V110351_51_51 or above



RCD01 (option)
Use a RCD when necessary to protect the circuit between AC on inverter and the distribution board. If possible, choose delayed type to create selectivity in the system.

RCD02
All off grid loads must be protected by an RCD.
This RCD should be tested in the following scenarios.
Normal AC: Q01 position N och position R
Offgrid: Q01 position R

Earth Electrode
Local rules and regulations apply.
Swedish regulations mandates that an earth electrode is installed and measured according to SS 436 40 00 as well as local specifications. Connect the earth electrode to the same grounding point as the inverter and the battery.

Earthing
All earthing point on this schematic must be connected to the main earthing bar of the electrical system together with the earth electrode.

Settings in inverter

Discharge Depth	<= 70%
EPS Discharge Depth	<= 90%
EPS Safety Buffer	=> 5%
EPS GFCI	Enable
NeutralPointGrounding	Enable

QuiPower app
Offgrid is activated under "System setup"

R2	Information earthing points	ME	240313
NR.	ÄNDRING	SIGN.	DATUM



Enequi
Example QPO-distribution board HYD SH105
Circuit diagram

KONSTR. AV V.V.	FILNAMN	RITNINGSNUMMER 3-820236E	
DATUM 2024-03-13	REV. R2	FORTS. -	BLAD 01

Denna ritning förblir vår egendom. Att utan medgivande mångfaldiga, förevisa, utlämna eller obehörigen använda detsamma är förbjudet och beivras enligt lag.