



TECHNICAL SPECIFICATION

Inverter – Bi-directional

Model: B60

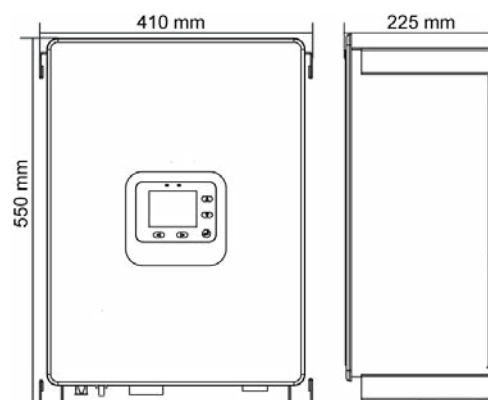
ENERGY TRANSFORMATION IS HERE. IT'S TIME TO TAKE CHARGE.

Inverter Bi-directional for QuiPower Storage

Technical data inverter B60

Input DC	Inverter B60
Operating Voltage Range (V)	200 - 800
Charging upper limit voltage (V)	Adjustable within range
Discharging cut-off voltage (V)	Adjustable within range
Max. DC discharging current	20
Max. DC Charging current (A)	20

Output AC	Inverter B60
Continuous output power (W)	5800
Max. output power (W)	6000
Nominal output voltage	400
No. of feed-in phases	3
Operating output voltage range (V)	324-436,437-460
AC Voltage frequency range (Hz)	47,55-51,45 (50 rated)
Nominal output current (A)	8,7
Max. output current (A)	9,6
Power Factor (λ)	(-0,95 , 0,95)
Standby Power Consumption (W)	<15
THDi (100% full power)	<3%



Væxelriktare B60

Inverter B60

- Integrated if selected for QuiPower Storage Indoor and Outdoor.



Kung Hans väg 3
192 68 Sollentuna
Sweden

+46(0)10 - 122 17 00
info@enequi.com
www.enequi.com

Inverter Bi-directional for QuiPower Storage

Technical data inverter B60

Efficiency	Inverter B60
Max. charging/discharging efficiency	$\geq 96,5\%$

General data	Inverter B60
Topology	Without transformer
Heat dissipation	Forced air cooling
Operating temperature range (deg.C)	-25 to 60
Relative humidity	$\leq 95\%$
Altitude (m)	≤ 2000
IP Protection Class	IP 65
Cooling	Forced air cooling
Noise (dB)	55
Interface	USB / RS485
Dimension (W*H*D)	408 * 548 * 231
Weight (kg)	26
Display	LCD

Certificate	Inverter B60
Standard	VD-AR-N 4105 IEC 62477

Protective Devices	
AC short-circuit	Ja
DC reverse polarity protection	Ja
DC Fuse	Ja
DC switch	Ja
Surge protection	Ja



Kung Hans väg 3
192 68 Sollentuna
Sweden

+46(0)10 - 122 17 00
info@enequi.com
www.enequi.com